

Return Line Filter Range RFM with 4-Hole Fixing Flange

Description

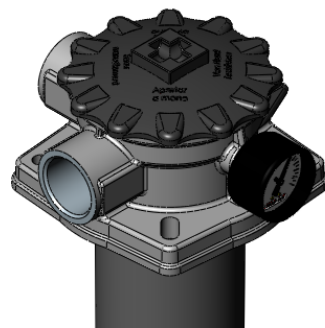
The innovation of the mobile working filters **RFM 90/150** and **RFM 75/165/185/195** with **4-hole fixing flange** serve as an alternative to the common RFM designs with 2-hole fixing flange. The new filter designs are supposed to be applied in case of un-machined tank surfaces.

The sizes 75/165/185/195 with 4-hole fixing flange are *exclusively* available with the so-called **Multiport head design**. This new filter head design integrates two connections hence it provides a bigger connection variety.

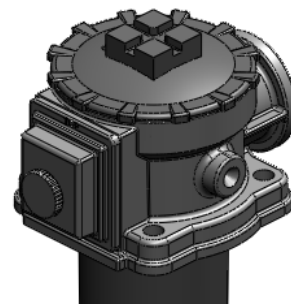
Certainly, all the innovations show the advantages which are typical for the RFM filter range such as the possibility to integrate a breather filter in the filter head or the media compatibility with all common hydraulic and lube oils.

Advantages

- **Perfect sealing between filter and tank for all sizes mentioned above**
due to 4-hole fixing flange
- **Variable connection variety for the sizes RFM 75/165/185/195**
due to Multiport head design
- **Easy handling**
due to plastic screw cap
- **Cost savings**
due to an head-integrated breather filter (optional)



4-hole fixing flange and Multiport head design for RFM 75/165/185/195



Filter head design with 4-hole fixing flange for RFM 90/150

Technical Data

- p_{max} = 10 bar
- Q_{max} = 220 l/min

Application

As return line filter in hydraulic systems of mobile working machines such as fork lifts, excavators, commercial- and agricultural machinery, mobile cranes, crushers, construction machinery and in stationary applications such as plastic injection molding machines.

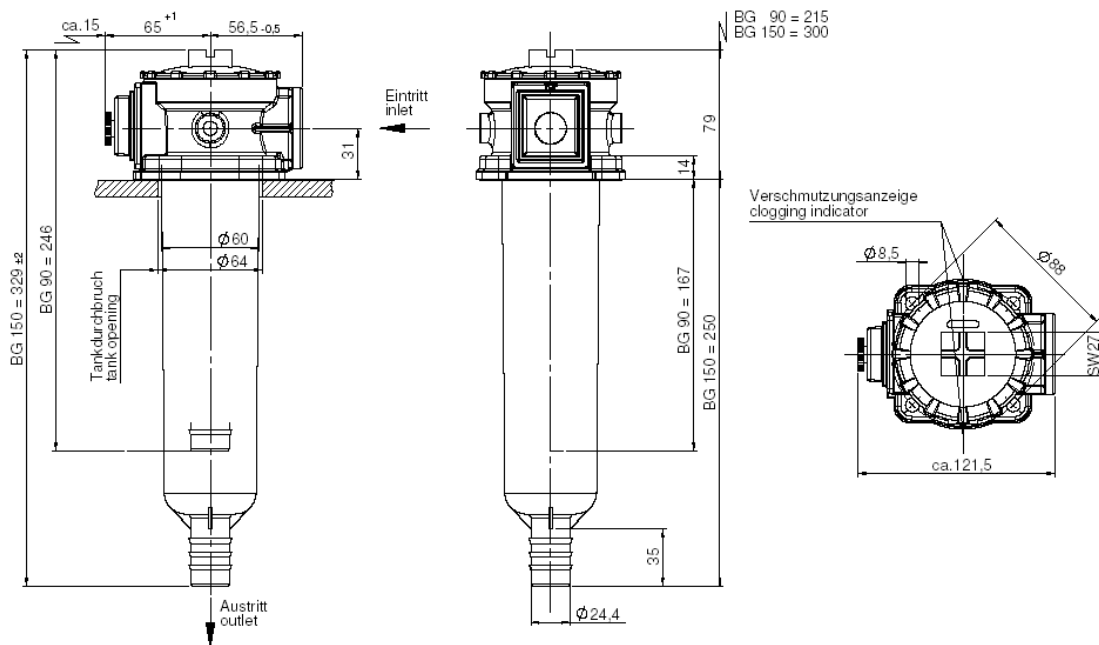
Order Code

Type	Filter material	Size	Pressure	Connec-tion	Filtra-tion ratio	Clogging indicator design	Type number	Changing number	Additional data
RFM	BN/HC = Betamicon®4 (glass fiber) MM = Mobilemicon (plastic fiber)	75	B = 10 bar	B = G½ C = G¾ D = G1	3	A = screw plug B = opt. indicator C = electr. indicator D = opt./ electr. indicator	0 = no indicator	.x delivery of the current version	-V = sealing out of FPM (Viton) -T = with breather filter -4L = with 4-hole fixing flange*
		90			5		2 = indicator on the left in the front (only for sizes 90 and 150)		
		150			10		3 = indicator on the right in the front		
		165			15				
		185			20				
195									

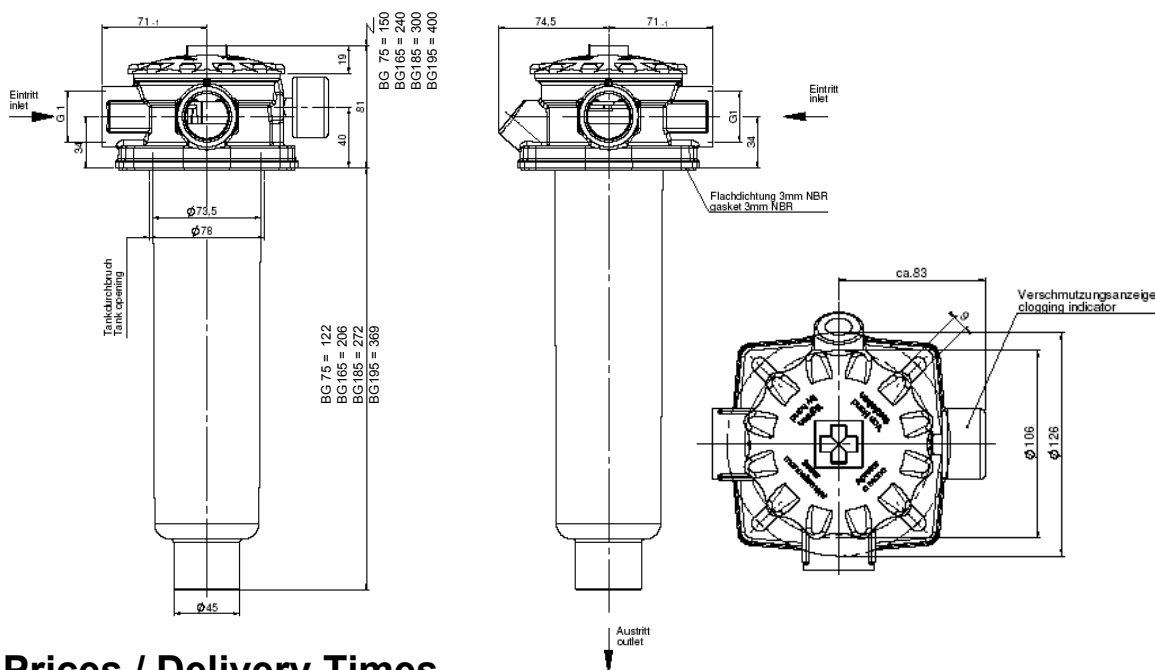
* Concerning the sizes 75/165/185/195: The additional information -4L already includes the hint to the Multiport head design.

Return Line Filter Range RFM with 4-Hole Fixing Flange

Dimensions RFM 90/150 with 4-Hole Fixing Flange



Dimensions RFM 75/165/185/195 with 4-Hole Fixing Flange and Multiport Head Design



Prices / Delivery Times

- Prices: on inquiry
- Delivery time: 4-6 weeks after order entry

Further Information

For further information on these filters please contact the Technical Sales Department at HYDAC Filtrertechnik or one of our HYDAC sales offices in your area. The filter design changes will be integrated in the next review of the HYDAC brochure catalogue.

HYDAC
 FILTERTECHNIK GmbH
 Industriegebiet
 D-66280 Sulzbach/Saar
 Telefon
 +49 (0)6897 - 509-01
 Telefax
 (Vertrieb)
 +49 (0)6897 - 509-300
 Internet: www.hydac.com
 eMail: filter@hydac.com