

## Change-over Filter in Cast Design RFLD DN 150 New Design – Less is more!

### Description

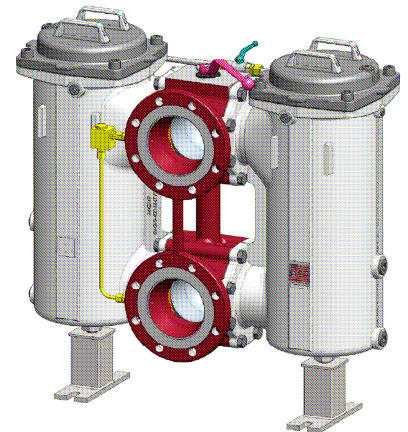
With the newly designed cast filter **RFLD 2701** in DN 150 HYDAC succeeded in complementing the RFLD filter range 111-1321 by one more size: 2701. The performance data of the RFLD 2701 even exceed the performance data of the welded filter RFLD 2500 CAV.

The **RFLD 2701** is made out of ductile graphite iron and from now it is a part of the HYDAC sales program. In addition the conception of the new filter in cast steel and special steel cast is almost finished. In analogy to the current RFLD range these filter types will have the description RFLD 2702 and 2703. They will be launched in January 2011 and the prices will be available on inquiry.

These new change-over inline filters are fitted with the filter element innovation, 2700 R..., (only one element per housing).

### Technical Features:

- Max. flow: 2500 l/min
- Approved operating pressure: 16 bar
- In- and outlet: DIN DN 150 / ASME B16.5-6"-150 lbs (AD guidelines and ASME requirements)
- Only 1 element per filter housing



### Advantages

- **New filter design optimized in flow behavior**, due to optimized housing and new element.
- **Easy handling during element change**, since only one element per side has to be replaced and only 4 screws fix the cover. Through the additional deaeration located on the filter rear the disassembly of an eventual pipe-work is not necessary.
- **High operation safety**, since no direct flow the element is not directly flown against.
- **Longer service life (replacement intervals)**, through the use of a newly designed filter element 2700 R..
- **Very compact design**
- **Flexible usability**, appropriate when AMSE approval is required.

### Application

Typical for applications in the stationary industry, such as

- power plants
- turbine lubrication
- API applications (sizes 2702 / 2703 )
- selection according to AD-guidelines / API 614 / PED / ASME / U-Stamp

# Change-over Filter in Cast Design

## RFLD DN 150

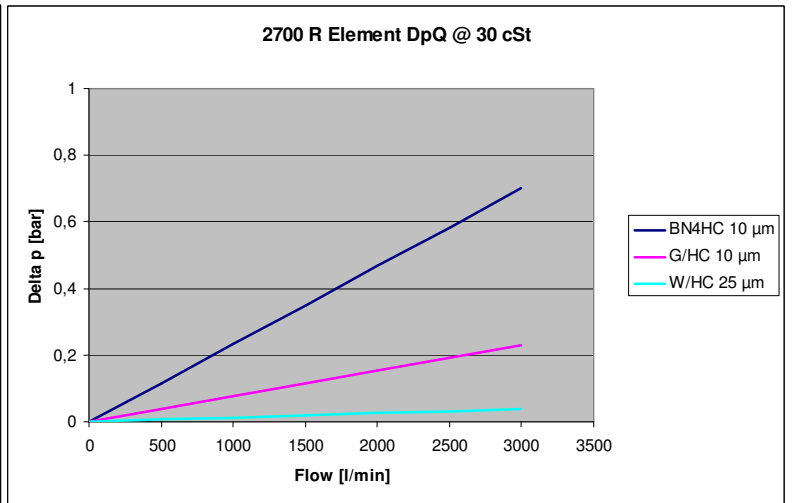
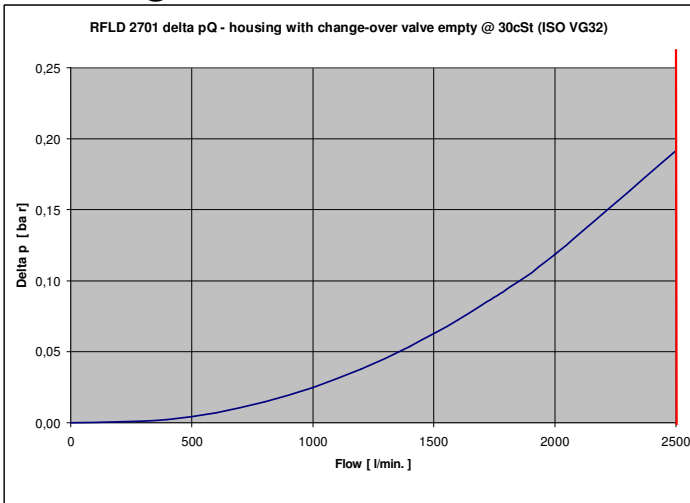
### New Design – Less is more!

#### Type Code

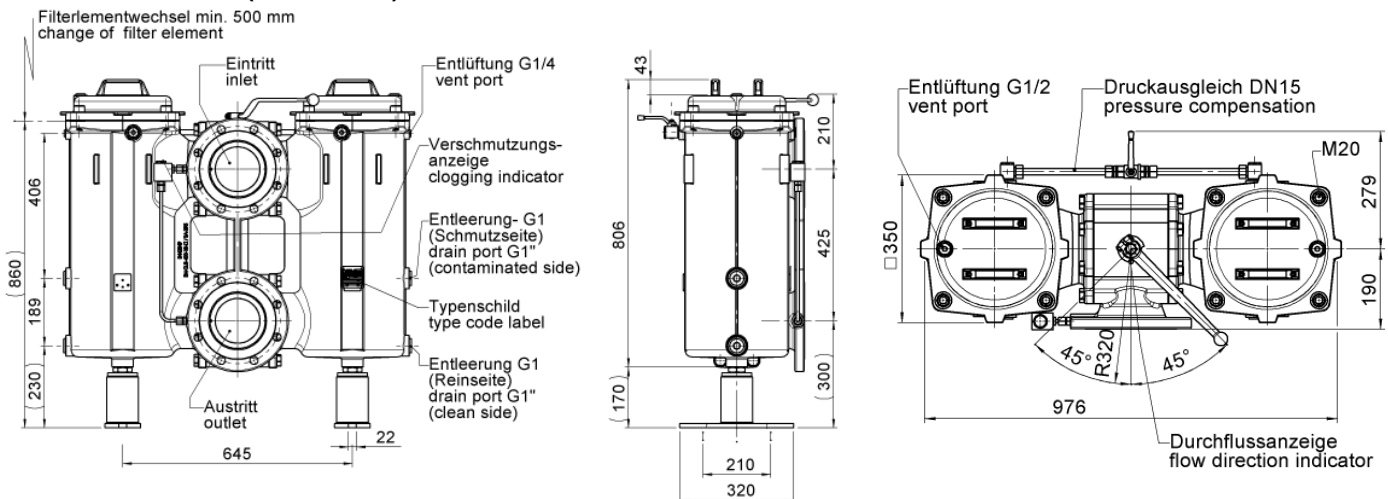
Type	Filter material	Size	Pressure	Valve type	Port and port size	Micron rating [µm]	Type of clogging indicator	Type #	Alternate #	Supplementary Details
RFLD	<b>BN/HC =</b> Betamicon®4 (glass fiber)  <b>G/HC =</b> Lubimicon (synthetic fiber)  <b>W/HC =</b> stainless steel wire mesh	<b>2701 =</b> ductile graphite iron  <b>2702 =</b> cast steel  <b>2703 =</b> stainless steel casting	<b>C =</b> 16 bar	<b>A =</b> Ball	<b>V =</b> DIN DN 150  7 = 6" 150 lbs	Betamicon®4: <b>3, 5, 10, 20</b>  Lubimicon: <b>10</b>  Stainless steel wire mesh: <b>25, 50, 100,                      200</b>	<b>Y =</b> drilling closed with synthetic cap <b>A =</b> screw plug <b>B =</b> optical <b>C =</b> electrical <b>D =</b> optical/electrical <b>W =</b> without pipe- work	<b>1.</b>	<b>X.</b> latest version is supplied	- <b>Z</b> = certificate 3.1 + HMBD  - <b>ZU</b> = U-stamp

Example: RFLD G/HC 2701 CAV 10 C 1.0 /-Z

#### Housing and Element Curve



#### Dimensions (RFLD 2701)



#### Prices / Delivery Time

Size	Availability	Delivery Time	Prices
2701	From now	8 weeks after order entry	On inquiry
2702	From 4 <sup>th</sup> quarter 2010	-	-
2703	From January 2011	-	-

#### Further Information

For further information on this filter please contact the Technical Sales department of HYDAC Filtrertechnik.