

Low Pressure Filter MFX

Description

The MFX 100/200 was developed for applications, in which spin-on filters are primarily used today. In contrast to the spin on filter, the MFX, which can be fitted with an ashable element, is much easier to be disposed of.

Technical data:

- Max. operating pressure: 50 bar
- Fatigue strength: 0-50 bar (>10⁶ load cycles)
- Max. flow: 130 l/min
- By-pass valve: 1.7 or 3.5 bar
- Connection options: Thread: G 3/4, G 1
Metric: M26x1,5, M33x2
UNF thread: 1 1/16-12 UN,
1 5/16-12 UN



MFX 100 / MFX 200

Advantages

- **Cost-effective disposal,**
since only the element has to be disposed and not – as for the competitive product – bowl and element (spin-on). Additional cost savings in the use of ECOmicron® elements (plastic constructions).
- **Guaranteed HYDAC quality,**
due to integrated retrofit protection
- **Higher filter housing lifetime,**
because fatigue up to 50 bar (with 1 million load changes)
- **Interchangeable with the competition,**
due to same connection dimensions (fixing and engraving in- and outlet)
- **High operating safety,**
since the bypass valve as well as the housing sealing are mounted at the element and therefore are renewed with every change
- **High diversity of clogging indicators,**
since different types of clogging indicators (standard indicator or new mobile indicator) can be mounted at different positions
- **Low cost filter and clogging indicator,**
because of cost optimized filter housing and new designed mobile indicator (low cost alternative to standard indicator)



Application

Typically used in charge circuits, hydrostatic drives or CVT transmissions as well as in lubrication systems and industrial transmission systems.

Delivery time

- Available from 1. July 2008
- delivery time approx. 4-6 weeks after order confirmation

Low Pressure Filter MFX

Type code

Type	Filter material	Size	Pressure	Connection	Filtration rating in μm	Type of clogging indicator	Indicator assignment	Modif. No.	Supplementary details
MFX	BN/HC (Betamicon)	100	G = 50 bar	C = G 3/4"	5	Position 3.x/4.x: BF = preferred visual indicator	1- = see 4 diagram	.x Latest version	-B1.7 = bypass 1,7 bar -B3.5 = bypass 3,5 bar -V = Viton (only on inquiry)
	D = G 1"			8*					
	ECO/N (ECOmicron)	200		E = M26x1,5	10	Position 1.x/2.x: W = No bore (Pos. 0.0)			
	MM (Mobilemicron)			I = 1 1/16-12 UN	15*	A = Plug screw			
				K = 1 5/16-12 UN	20	C = Electrical			
				L = M33x2		D = Visual/electrical			

*only with filter material Mobilemicron (MM)

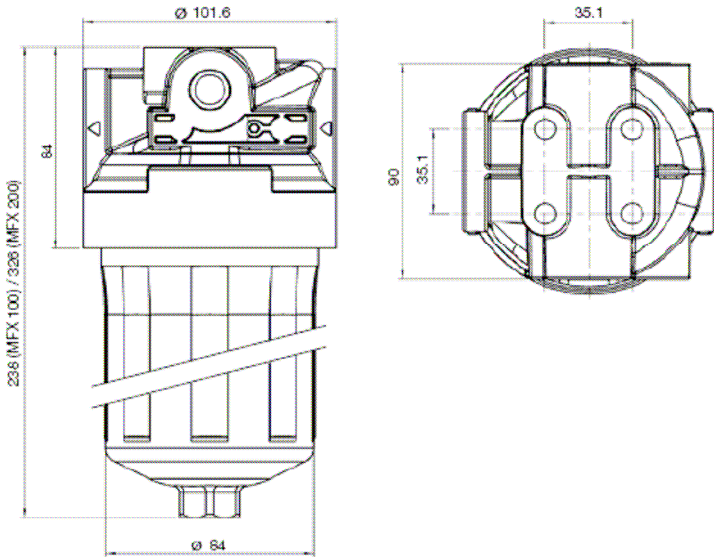
New elements were designed for the new MFX filters: "MX". Type code, e.g. 0100 **MX** 010 BN4HC /-B3.5.

Preferred models

MFX 100/200 G C BF 4.X MFX 100/200 G D BF 4.X
MFX 100/200 G C W 0.X MFX 100/200 G D W 0.X
MFX 100/200 G C A 2.X MFX 100/200 G D A 2.X

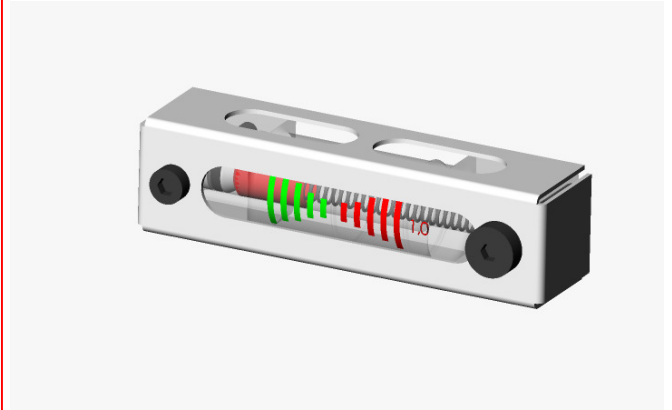
Dimensions

[...] = inch

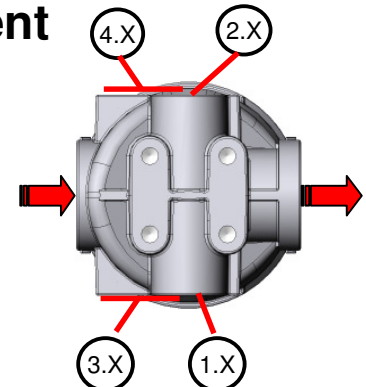


Inlet thread	Outlet thread	Mounting holes
G ³ / ₄	G ³ / ₄	M10
G1	G1	M10
1 1/16-12 UN	1 1/16-12 UN	3/8-16 UNC
1 5/16-12 UN	1 5/16-12 UN	3/8-16 UNC
M26x1.5	M26x1.5	M10
M33x2	M33x2	M10

New visual mobile indicator



Clogging indicator assignment



Information

Further information is available by our technical sales department of the HYDAC Filtrertechnik as well as from one of our sales offices close to your location.