

New Suction Filter SFAR

Description

This new filter range is designed for in-tank application. The design with integral bottom valve enables the horizontal installation and the maintenance even below oil level, consequently, it provides a special service friendliness.

Also, the concept of the filter head enables a draining of the residual oil from the housing before the filter is opened. By that, maintenance can be done avoiding any environmental pollution.

Technical Details:

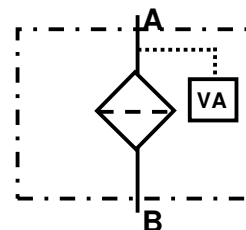
- Suction performance 100 or 150 l/min
- Temperature range from -30° to +100°C
- Micron rating from 10 µm to 100 µm



SFAR 100 and SFAR 150

Advantages

- **Well appropriate even for hard in-taking pumps**
through the horizontal fitting position
- **The filter guarantees best flow behavior**
(big thread connection G1 1/4", big filter areas, low housing pressure drop and optimal possibilities of the clogging indicators (4 optional port positions))
- **Simple handling during element change**
through the clamp cover
- **Smooth maintenance guaranteed**
through the inlet valve
- **No loose parts during element change**
- **Environmentally friendly filter maintenance and faster replacement of the filter elements without backwards contamination**
through the flow direction from inside to outside
- **An integral magnetic core leads to increased filtration performance**
- **Low installation depth**
- **Low disassembly height for the element required**
- **Low weight**



Application

The new suction filters are mainly used in mobile working machinery of both construction and agricultural industry. They should be applied when the tank is integrated in the frame and hard to clean and when the piston pumps require a special protection e.g. concrete pumps or root harvesting machinery.

New Suction Filter SFAR

Type Code

Type	Filter Material	Size	Positive Operating Pressure	Port Type	Micron Rating [μm]	Clogging Indicator Type *	Type Number	Changing Number	Supplementary Details
SFAR	PE = Polyester WR = wire mesh	100 150	W = suction operation	E = G 1 1/4	10 (Polyester) 100 (wire mesh)	W = no port possibility UE = low pressure gauge UF = low pressure switch	0 = undrilled, no clogging indicator 1-4 = clogging indicator on different positions on the filter (see illustration: Type number: Installation of the clogging indicator)	.x the latest version is supplied	-V = FPM sealing -OM = without magnetic core

* For further clogging indicators please advise brochure no. 7.050../..

Dimensions

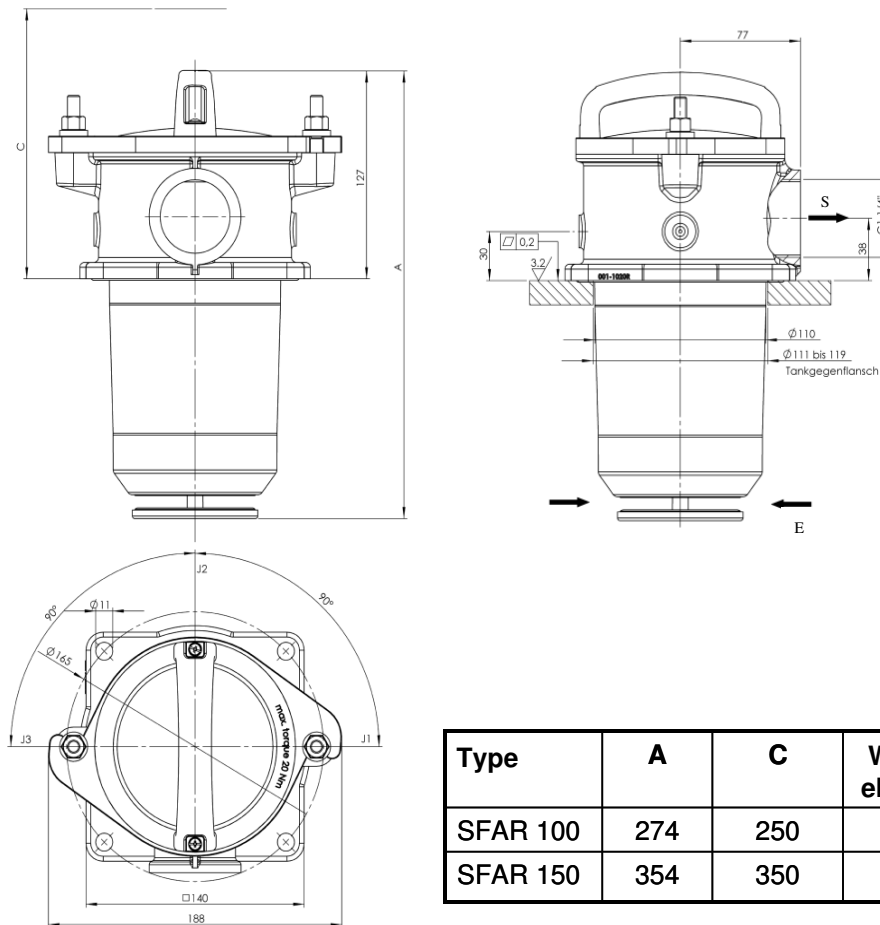
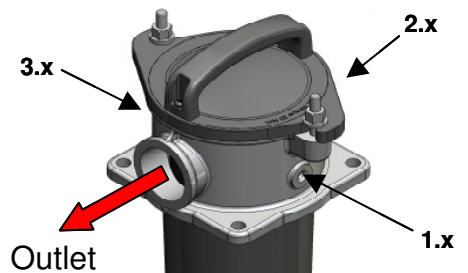


Illustration: Type number:
Installation of the clogging indicator



- 1.x - on filter outlet, right side
- 2.x - across from filter outlet
- 3.x - on filter outlet, left side
- 4.x - all possibilities drilled and closed with locking screw

Type	A	C	Weight with element [kg]
SFAR 100	274	250	1,8
SFAR 150	354	350	2,1

Prices and Delivery Time

Prices: on inquiry

Delivery Time: ca. 3 to 4 weeks from order entry

Information

For further information please consult the Technical Sales Department at HYDAC Filtertechnik.